

TECHNICAL CHARACTERISTICS

1. General Characteristics

Dimension: 13.28L x 13.70W x 2.60H mm
 Weight: Approx. 0.38 g
 Contact principle: Friction technology
 Operating position: Shaft up / Down / Horizontal
 Mounting System: SMT Type (without post)
 Durability: 5,000 cycles min.

2. Mechanical Characteristics

Insulation material: Thermoplastic, UL 94V-0
 RoHS Directive 2002/95/EC Compliant

3. Electrical Characteristics

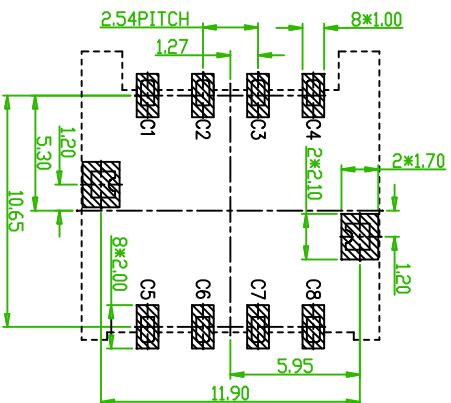
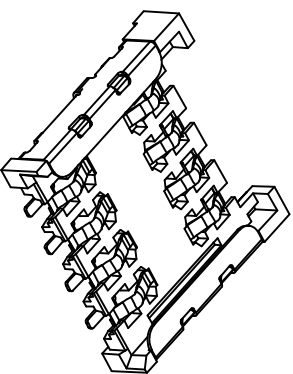
Number of contacts: 8 pin
 Contact resistance: 50 mΩ typical, 100 mΩ max.
 Insulation resistance: >1000 MΩ / 500 VDC

4. Solderability

Wave: Not applicable
 IR reflow: 260°C, 10 sec. Max.
 Manual soldering: 360°C, 3 sec. Max.

5. Environmental Characteristics

Operating temperature: -40°C ~ +85°C
 Operating humidity: 10% ~ 95% RH
 Storage temperature: -40°C ~ +85°C
 Storage humidity: 10% ~ 95% RH



Unit: mm; Tolerances: ±0.05 mm
 Reference dimension for PCB layout

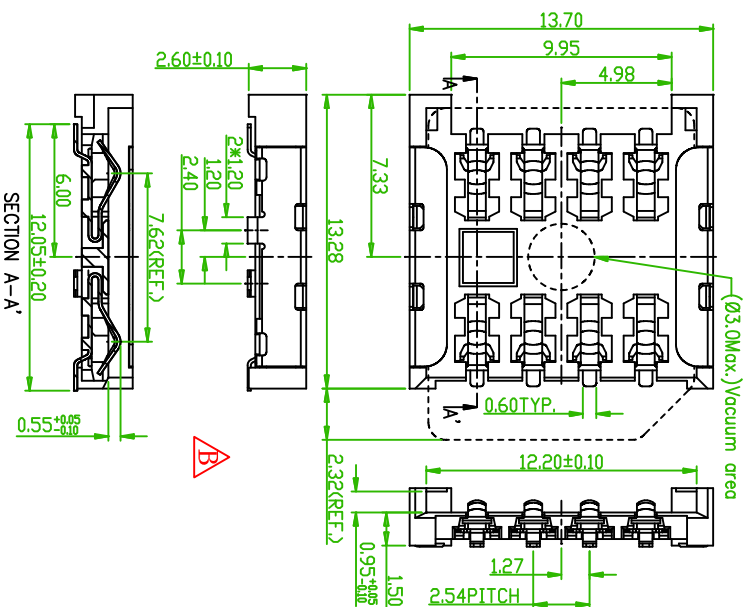
ORDER INFORMATION

M S I M C 0 1 - 2 6 0 8 G B - U

◎: Standard Recommend


26: Plastic Height H=2.6mm

U: RoHS + LCP



Unit: mm; Tolerances: ±0.15 mm
 Mechanical outline dimension

AREA	REV.	DESCRIPTION
B	B	Revised the Drawing


禮德企業有限公司
 Amitek Technology Co., Ltd.
 TEL: 886-2-2268-8836
 FAX: 886-2-2268-8833

Micro SIM Card			
品名	品號	圖號	版本
TITLE	PART NO.	DRAWING NO.	REV.
MSIMC01-2608GB-U	MSIMC01-2608GB-U	B	
客戶品號	公差	比例	單位
CUSTOMER P/N	TOLERANCE	SCALE	UNIT
.X ±0.20	.XX ±0.15	FREE	mm
日期	繪圖	核對	核准
DATE	DRAWN	CHECKED	APPROVED
2010/11/18	Sinnys	Debby	James

